

# Magnetic Grippers

## Magnetic gripper MGM-HP

Suction area: ( $\phi$ ) 20mm-50mm

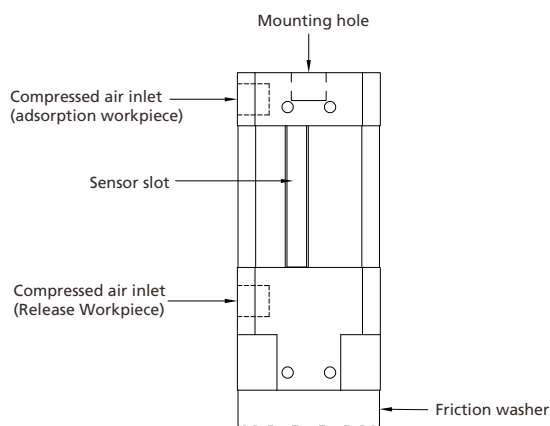
Magnetic gripper MGM-HP



### Introduction and application

- ◆ Transporting porous metal plates and cutting pieces with complex geometric shapes
- ◆ Handling magnetic workpieces

System design Magnetic Grippers MGM-HP



### Design

- ◆ High magnetic adsorption
- ◆ Strong aluminum shell with permanent magnet parts inside
- ◆ Clamp friction washer, which can be replaced quickly
- ◆ The top has a standard threaded hole
- ◆ Mountable sensors for detection

### Ordering guide and ordering data of magnetic gripper MGM-HP

Type	Diameter [mm]	Connecting thread	Ordering data
MGM-HP 20 G1/8-IG	20	G1/8-IG	90.03.01.00029
MGM-HP 30 G1/8-IG	30	G1/8-IG	90.03.01.00030
MGM-HP 40 G1/4-IG	40	G1/4-IG	90.03.01.00031
MGM-HP 50 G1/4-IG	50	G1/4-IG	90.03.01.00032

### Ordering data of MGM-HP-S magnetic gripper sensor

Type	Ordering data	Type	Ordering data
MGM-HP-S 20 G1/8-IG PNP	90.03.01.00033	MGM-HP-S 20 G1/8-IG NPN	90.03.01.00037
MGM-HP-S 30 G1/8-IG PNP	90.03.01.00034	MGM-HP-S 30 G1/8-IG NPN	90.03.01.00038
MGM-HP-S 40 G1/4-IG PNP	90.03.01.00035	MGM-HP-S 40 G1/4-IG NPN	90.03.01.00039
MGM-HP-S 50 G1/4-IG PNP	90.03.01.00036	MGM-HP-S 50 G1/4-IG NPN	90.03.01.00040

# Magnetic Grippers

## Magnetic gripper MGM-HP

Suction area: ( $\phi$ ) 20mm-50mm



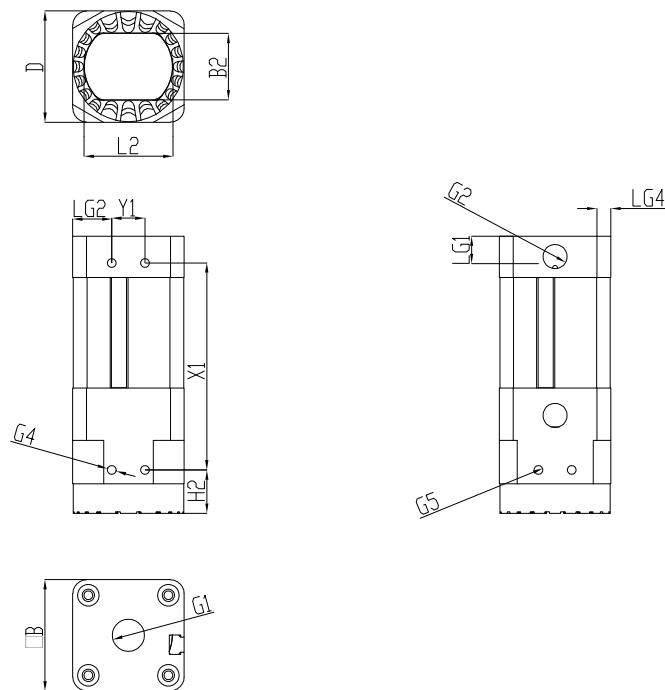
### Technical parameters of magnetic gripper MGM-HP

Type	Maximum holding force [N]	Working pressure range [bar]	Installation position	Control	Working temperature [°C]	Weight [g]
MGM-HP 20 G1/8-IG	28	2.5...6	Arbitrary	Bistable	5...70	81
MGM-HP 30 G1/8-IG	120	2.5...6	Arbitrary	Bistable	5...70	215
MGM-HP 40 G1/4-IG	290	2.5...6	Arbitrary	Bistable	5...70	415
MGM-HP 50 G1/4-IG	560	2.5...6	Arbitrary	Bistable	5...70	770



### Design parameters of magnetic gripper MGM-HP

MGM-HP 20 to 50



Type	Size [mm]														
	B	B2	D	G1	G2	G4	G5	H	H2	L2	LG1	LG2	LG4	X1	Y1
MGM-HP 20 G1/8-IG	20	9.1	20	G1/8	M5	M3	M3	78.2	12.7	12.0	6	5.5	4.0	55	6.5
MGM-HP 30 G1/8-IG	30	15.0	30	G1/8	G1/8	M4	M4	99.4	15.7	20.5	6	7.0	5.0	74	12.0
MGM-HP 40 G1/4-IG	40	24.2	40	G1/4	G1/8	M4	M4	99.4	15.7	32.0	9	6.0	5.0	74	12.0
MGM-HP 50 G1/4-IG	50	31.2	50	G1/4	G1/8	M5	M4	123.4	15.7	41.5	10	6.0	6.5	100	15.0